

## **Section 6 – Accessories**

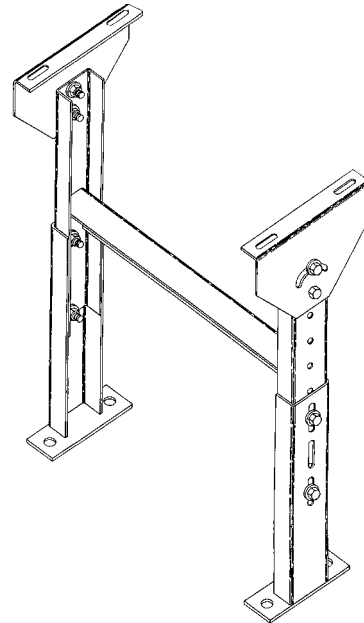
<b>Page</b>	<b>Description</b>
6-1	Accessories Index
6-2	A2000/C700 Standard and Curve Leg Supports
6-3	A2001 Heavy Duty Channel Supports
6-4	A2016 Structural Supports
6-5	A2002 Multi-Level Supports
6-6	C101 and C192 Low Elevation Supports
6-7	C219 and HDPP Portable Supports
6-8	Tripod Support and Roller Top Stands
6-9	Wall Bracket Supports and Ceiling Hangers
6-10	Turning Wheel and Traffic Controller
6-11	550 Series Turntable
6-12	Gravity Stops, Brakes, Connector Angle and Fixed End Stops
6-13	Straight Guard Rail
6-14	Flared Guard Rail
6-15	Curved Guard Rail
6-16	Bed Truss Support and Side Table Extensions



**A2000/ C700 Standard Supports:**

**Note:**

Start with the required carrying surface elevation the conveyor.  
Deduct the amount in Table-1 on Page 6-3.  
This is the Top of Support Elevation.  
Order the support that includes that Elevation.



Maximum Capacity: 1200 pounds

Head: 10 gage formed steel

Upright: 10 gage formed steel

Foot Plate: 7 gage formed steel

Hardware: 3/8 Nuts and Bolts

Top of Support Vertical Adjustment Range:

**14"-18", 16"-21", 18"-25", 20"-29", 25"-39", 39"-66", 62"-90", 90"-117"**

Available Widths: 12" to 48"

Finish: Standard finish for painted components is Metzgar Medium Blue or Vista Green

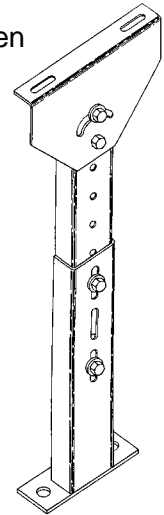
**C700 Support Model Number:**

**C700 - 24 - 2539**

Support Series

Conveyor Width

Range of Height Adjustment



Top of Support Vertical Adjustment Range: **14"-18", 16"-21", 18"-25", 21"-29", 25"-39", 39"-66"**

Finish: Standard finish for painted components is Metzgar Medium Blue or Vista Green

**C700 Curve Leg Support Model Number:**

**C700 - CL - 2539**

Support Series

Conveyor Width

Range of Height Adjustment

**Order Separately: Diagonal Bracing**

**Hardware to anchor supports to the floor is not included.**

**All adjustment ranges are from the floor to top of support.**

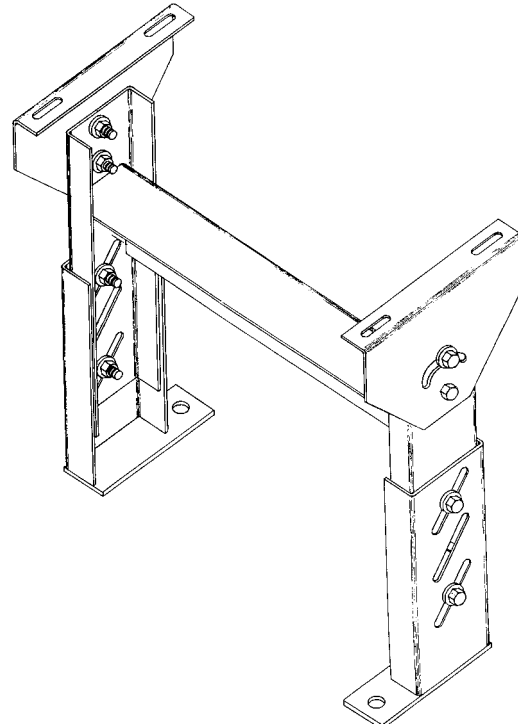


**A2001 Heavy Duty Channel Supports:**

Size the height of support by taking the top of roller / belt desired and deducting the amount in Table-1 to determine the elevation range of the support required.

**Table-1: Height of Conveyor Series**

Conveyor Series	Distance Top of Conveyor to Bottom of Frame
Wheel Gravity	2 29/32"
SD138 Gravity	2 3/4"
MD190 Gravity	3 13/16"
HD250 Gravity	4 5/16"
438 Lineshaft	4 9/16"
440 Lineshaft	4 13/16"
445 Lineshaft	9 5/16"
701 Belt	6 1/8"
801 Belt	6 1/8"
401 Belt Driven	8 15/16"
430 Belt Driven	8 15/16"
435 Belt Driven	6 13/16"
460 Belt Driven	8 1/8"
470 Chain Driven	4 9/16"
480 Chain Driven	4 5/16"
490 Chain Driven	6 3/8"



Maximum Capacity: 4000 pounds

Head: 10 gage formed steel

Upright: 10 gage formed steel

Foot Plate: 7 gage steel

Hardware: 1/2" Nuts and Bolts

Top of Support Vertical Adjustment Range:

**13"-16", 15"-21", 20"-28", 27"-35", 34"-46", 45"-57", 56"-80", 79"-103", 102"-143"**

Available Widths:12" to 63"

Finish: Standard finish for painted components is Metzgar Medium Blue or Vista Green

**HD Support Model Number:**

**A2004 - 24 - 2539**

Support Series

Conveyor Width

Range of Height Adjustment

**Order Separately: Diagonal Bracing**

**Hardware to anchor supports to the floor is not included.**

**All adjustment ranges are from the floor to top of support.**

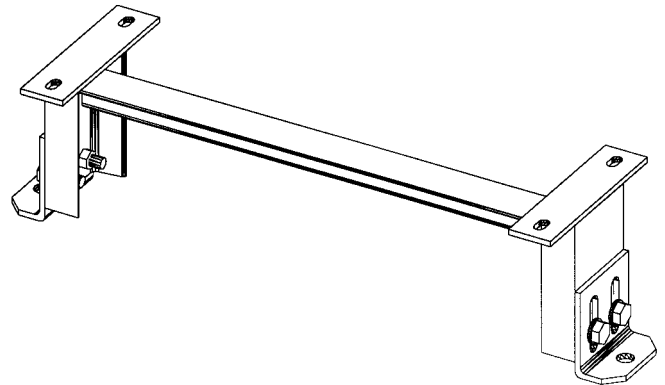


**A2016 Structural Channel Supports:**

Size the height of support by taking the top of roller / belt desired and deducting the amount in Table-1 to determine the elevation range of the support required.

**Table-1: Height of Conveyor Series**

Conveyor Series	Distance Top of Conveyor to Bottom of Frame
Wheel Gravity	2 29/32"
SD138 Gravity	2 3/4"
MD190 Gravity	3 13/16"
HD250 Gravity	4 5/16"
438 Lineshaft	4 9/16"
440 Lineshaft	4 13/16"
445 Lineshaft	9 5/16"
701 Belt	6 1/8"
801 Belt	6 1/8"
401 Belt Driven	8 15/16"
430 Belt Driven	8 15/16"
470 Chain Driven	4 9/16"
480 Chain Driven	4 5/16"



Maximum Capacity: 2000 pounds

Head: 1/4" flat steel

Upright: 4" Structural Channel

Foot Plate: 1/4" formed steel

Hardware: 1/2" Nuts and Bolts

Vertical Adjustment Range: Plus or Minus One Inch

Maximum Height of Support: 24"

Finish: Standard finish for painted components is Metzgar Medium Blue or Vista Green

**Structural Support Model Number:**

**A2016 - 36 - 24**

Support Series

Conveyor Width

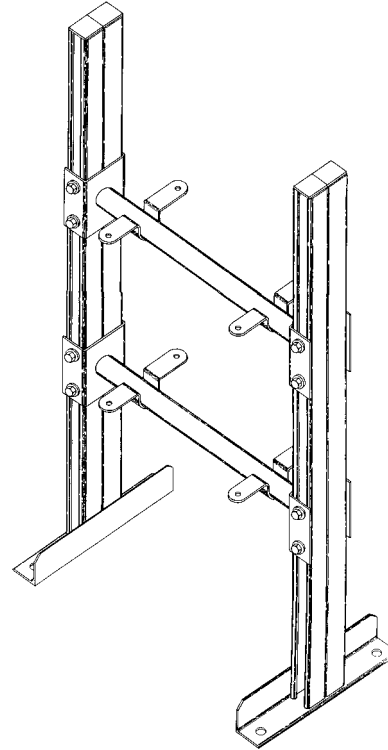
Range of Height Adjustment

**Hardware to anchor supports to the floor is not included.**



**A2002 Multi-level Supports:**

Multi-level supports are infinitely adjustable. They are designed for two or more lines of conveyor installed directly above one another. Multi-level supports have a standard three inch clearance between the conveyor frame and upright on each side of the conveyor. Standard upright heights are 48” and 72”. Minimum elevation is 5” for side frames.



- Maximum Capacity: 1200 pounds
- Cross Tube: 1 5/8” diameter x 13 gage
- Upright: 1 5/8” x 1 5/8” back to back strut
- Foot Plate: 10 gage formed steel
- Hardware: 3/8” Nuts and Bolts
- Height of Support: 48” or 72”
- Available Widths: 12”, 15”, 18”, 21”, 24”, 30”, 36”, 42”, or 48”
- Finish: Standard finish for painted components is Metzgar Medium Blue or Vista Green

**Table-2: Conveyor Width vs. Between Upright Dimension**

Conveyor Width	12”	15”	18”	24”	30”	36”	42”	48”
Between Upright	18”	21”	24”	30”	36”	42”	48”	54”

**Multi-Level Support Model Number:**

**ML - 36 - 48**

Support Series

Conveyor Frame Width

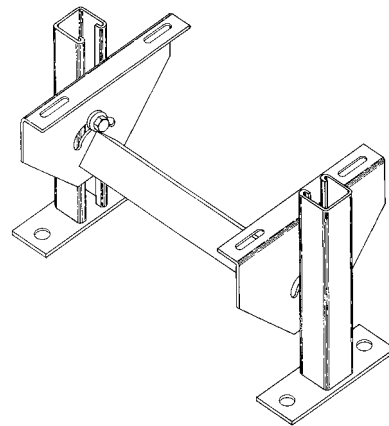
Range of Height Adjustment

**Optional Spacer Channels required when used with lineshaft conveyor**  
**Optional Multi-Level Diagonal Braces are available.**  
**Hardware to anchor supports to the floor is not included.**



**A-2013 / C-101 Low Elevation Supports:**

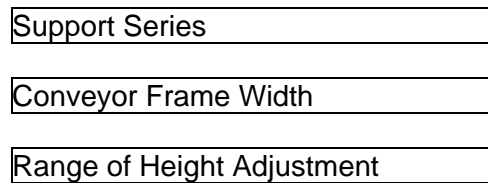
Low elevation supports are used when the bottom flange of the conveyor is from 6” to 14” above the floor.



- Maximum Capacity: 1200 pounds
- Head: 10 gage formed steel
- Cross Channel: 1 ½” x 1 ½” x 3/16” thick angle
- Upright: 1 5/8” x 1 5/8” strut
- Foot Plate: 7 gage formed steel
- Hardware: 3/8” Nuts and Bolts
- Vertical Adjustment: 6” to 14” top of support
- Finish: Standard finish for painted components is Metzgar Medium Blue or Vista Green

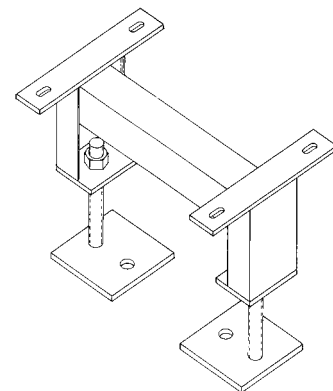
**C-101 Support Model Number:**

**C-101 - 36 - 14**



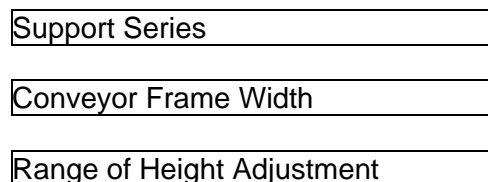
**A-2014 / C-192 Heavy Duty Low Elevation Supports:**

- Maximum Capacity: 2000 pounds
- Head: 10 gage formed steel
- Cross Channel: 2” x 2” x 1/4” thick angle
- Upright: 3” Structural
- Adjustment: ¾” Diameter Threaded Rod
- Foot Plate: ¼” steel
- Vertical Adjustment: 4 ¾” – 6 ¾”, 6 ¾”-10”, 9 ¾”-13” top of support
- Finish: Standard finish for painted components is Metzgar Medium Blue or Vista Green



**C-192 Support Model Number:**

**C-192 - 36 - 6.75-10**



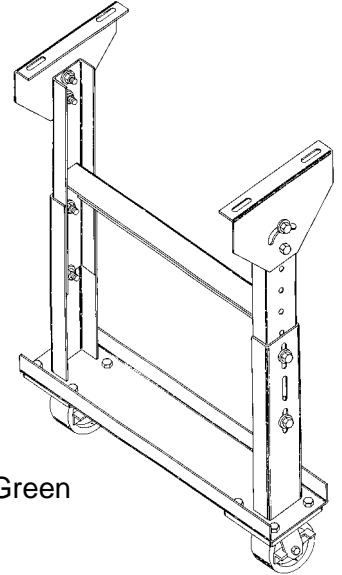
**Hardware to anchor supports to the floor is not included.**



**A-2021 / C-219 Portable Supports for Horizontal Applications:**

Constructed as our C700 style support with a 4” diameter swivel or rigid brake lock casters on a channel base. Two are recommended for a straight section. Three are recommended for a 90 degree curve application. The standard unit includes diagonal bracing.

- Maximum Capacity: 1200 pounds
- Head: 10 gage formed steel
- Upright: 10 gage formed steel
- Hardware: 3/8 Nuts and Bolts
- Bottom Channel: 10 gage formed steel
- Casters: 4” diameter fixed with brake locks or swivel
- Top of Support Vertical Adjustment Range:24”-31” and 31”-45” top of support
- Available Widths:12”, 15”, 18”, 21”, 24”, 30” or 36”
- Finish: Standard finish for painted components is Metzgar Medium Blue or Vista Green



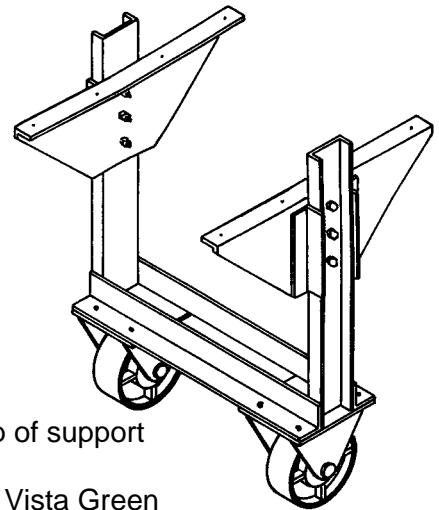
**A2021 / C-219 Support Model Number:**

**C-219 - 24 - 3145**

- Support Series
- Conveyor Width
- Range of Height Adjustment

**Heavy Duty Portable Supports:**

- Maximum Capacity: 2000 pounds
- Head: 7 gage formed steel
- Upright: 3” Structural Channel
- Hardware: 3/8 Nuts and Bolts
- Bottom Channel: Pair of 2” x 2” Angle
- Casters: 6” diameter fixed or swivel
- Top of Support Vertical Adjustment Range:24”-30”, 30”-36” and 36”-42” top of support
- Available Widths:12”, 15”, 18”, 21”, 24”, 30” or 36”
- Finish: Standard finish for painted components is Metzgar Medium Blue or Vista Green



**Heavy Duty Portable Model Number:**

**HDPP - 24 - 2430**

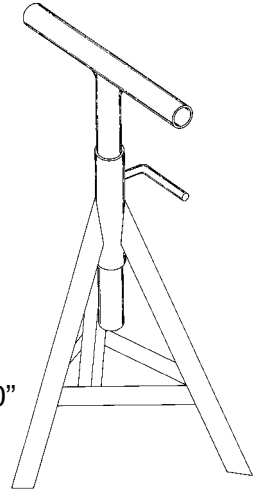
- Support Series
- Conveyor Width
- Range of Height Adjustment



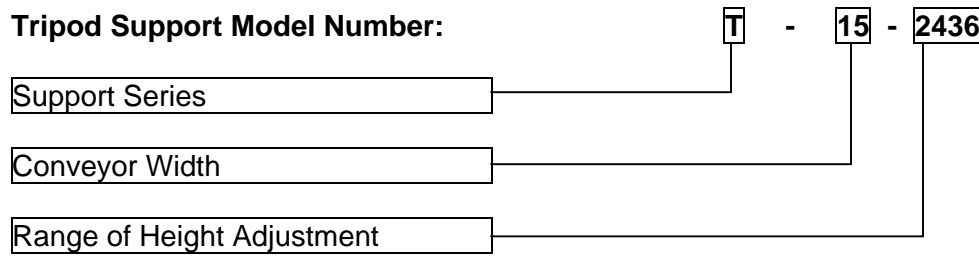
**Tripod Supports:**

Tri-pod supports are used with gravity wheel or LD gravity roller conveyor. Tri-pod supports can also be used as a stand-alone support for a drill press or other saw etc.

- Maximum Capacity: 125 pounds
- Top: 1 5/16" x 14 gage steel tube
- Tube Upright: 1 5/8" x 13 gage tube
- Legs: (3) 1" x 1" x 1/8" angle
- Horizontal Connector: 3/4" x 3/16" flat bar
- Hardware: 3/8 Nuts and Bolts
- Bottom Channel: 10 gage formed steel
- Top of Support Vertical Adjustment Range: 17"-21", 20"-30", 24"-36", 30"-48" or 42"-70"
- Available Widths: 12", 15", 18"
- Finish: Standard finish is Metzgar Orange



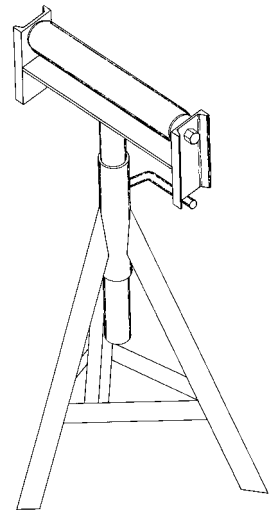
**Tripod Support Model Number:**



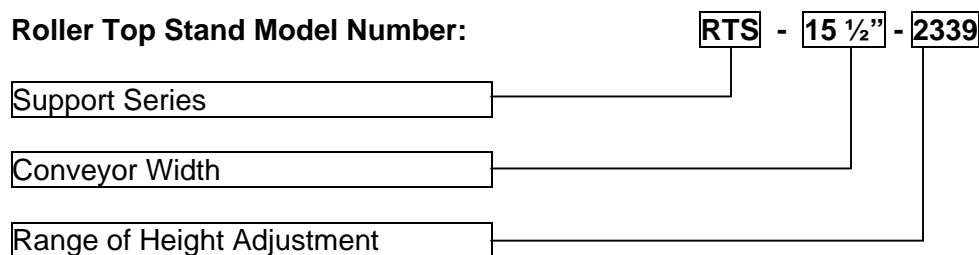
**Roller Top Supports:**

Roller Top supports can be used as a stand-alone support for a drill press, punch press, or saw.

- Maximum Capacity: 125 pounds
- Top: 1.9" diameter x 16 gage steel roller with 7/16" hex axle
- Tube Upright: 1 5/8" x 13 gage tube
- Legs: (3) 1" x 1" x 1/8" angle
- Horizontal Connector: 3/4" x 3/16" flat bar
- Hardware: 3/8 Nuts and Bolts
- Bottom Channel: 10 gage formed steel
- Top of Roller Vertical Adjustment Range: 14"-23", 23"-39" and 28"-50" top of support
- Available Widths: 9 1/2", 15 1/2", 18 1/2", 21 1/2"
- Finish: Standard finish is Metzgar Orange



**Roller Top Stand Model Number:**







**Wall Bracket Supports:**

Wall bracket supports are used to mount conveyor running parallel to a wall where ceiling hangers or floor supports are not practical. The vertical member is bolted directly to the wall. A channel is bolted to the vertical member. A pair of U-clamps attaches the conveyor to the horizontal tube.

Maximum Capacity: 800 pounds (If Building Wall Can Support)

Upright: 1 5/8" x 1 5/8" Strut Channel

Hardware: 3/8 Nuts and Bolts

Attaching Plates: 7 gage

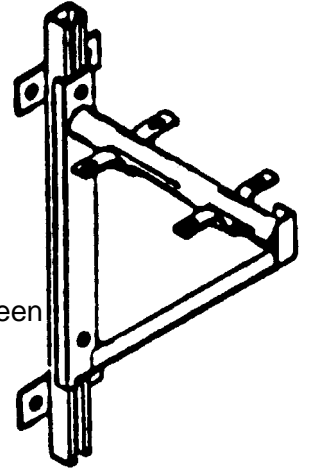
Slide Upright: 10 gage formed channel

Top of Support Vertical Adjustment Range: 6"

Available Conveyor Widths: 12", 18", 24", 30", 36" or 48"

Horizontal Tube: 1 5/8" x 13 gage (6" wider than the conveyor width)

Finish: Standard finish for painted components is Metzgar Medium Blue or Vista Green



**Wall Bracket Model Number:**

**WB** - **24**

Support Series

Conveyor Width

**Ceiling Hangers:**

Ceiling hangers are used to mount conveyor where floor supports or wall brackets would not be practical. A pair of U-clamps attaches the conveyor to the horizontal tube.

Horizontal Tube is 1 5/8" x 13 gage (6" wider than the conveyor width)

Finish: Standard finish for painted components is Metzgar Medium Blue or Vista Green

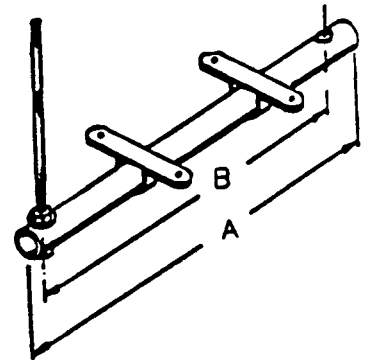
**Ceiling Hanger Model Number:**

**CHS** - **24** - **18**

Support Series

Saddle Width

Conveyor Width



Model Number	"A"	"B"	Saddle Capacity per Conveyor Frame Width									
			12	15	18	21	24	27	30	36	42	48
CHS2418	24	22	1400	2060	2400	-	-	-	-	-	-	-
CHS-2721	27	25	1060	1400	2600	2400	-	-	-	-	-	-
CHS-3024	30	28	860	1060	1400	2060	2400	-	-	-	-	-
CHS-3327	33	31	720	860	1060	1400	2060	2400	-	-	-	-
CHS-3630	36	34	620	720	860	1060	1400	2060	2400	-	-	-
CHS-3933	39	37	-	595	640	745	900	1180	1700	2400	-	-
CHS-4236	42	40	-	-	-	580	640	820	1080	2300	-	-
CHS-4842	48	46	-	-	-	-	-	-	580	920	2300	-
CHS-5448	54	52	-	-	-	-	-	-	-	-	820	2200

**Drop rods are not included.**

**Optional 18" long x 5/8" threaded adjustment rod**

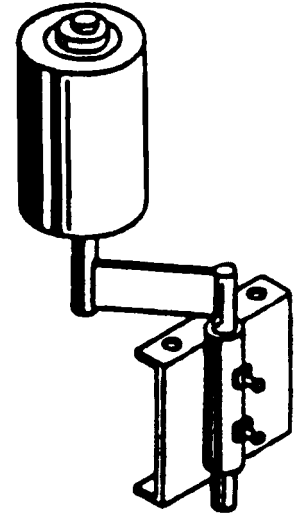
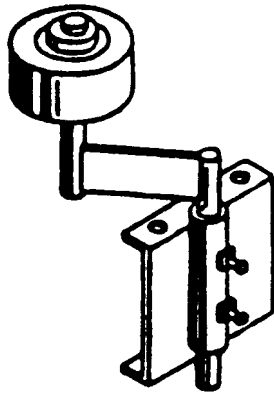
**Optional Spacer Channels required when used with lineshaft conveyor**



**Turning Wheel/Drum:**

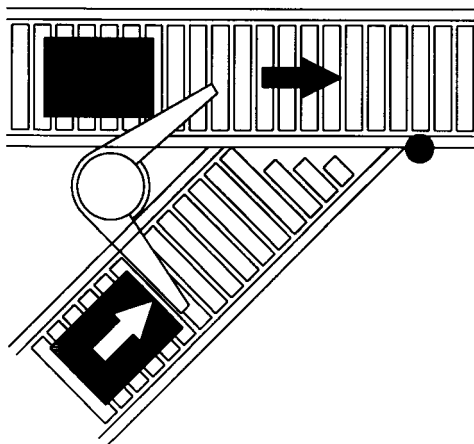
Turning wheels are used for converging product from a spur onto a powered conveyor, directing the product to the center of the powered line. Turning wheels operate best with totes, cartons and similar items that have smooth sides that contact the wheel. A 4" diameter x 8" face Turning Drum is also available for products with irregular surfaces. The drum can be mounted on an angle to accommodate totes with angled sides.

Specify the type of conveyor the wheel/drum is being mounted on.



**Traffic Controller:**

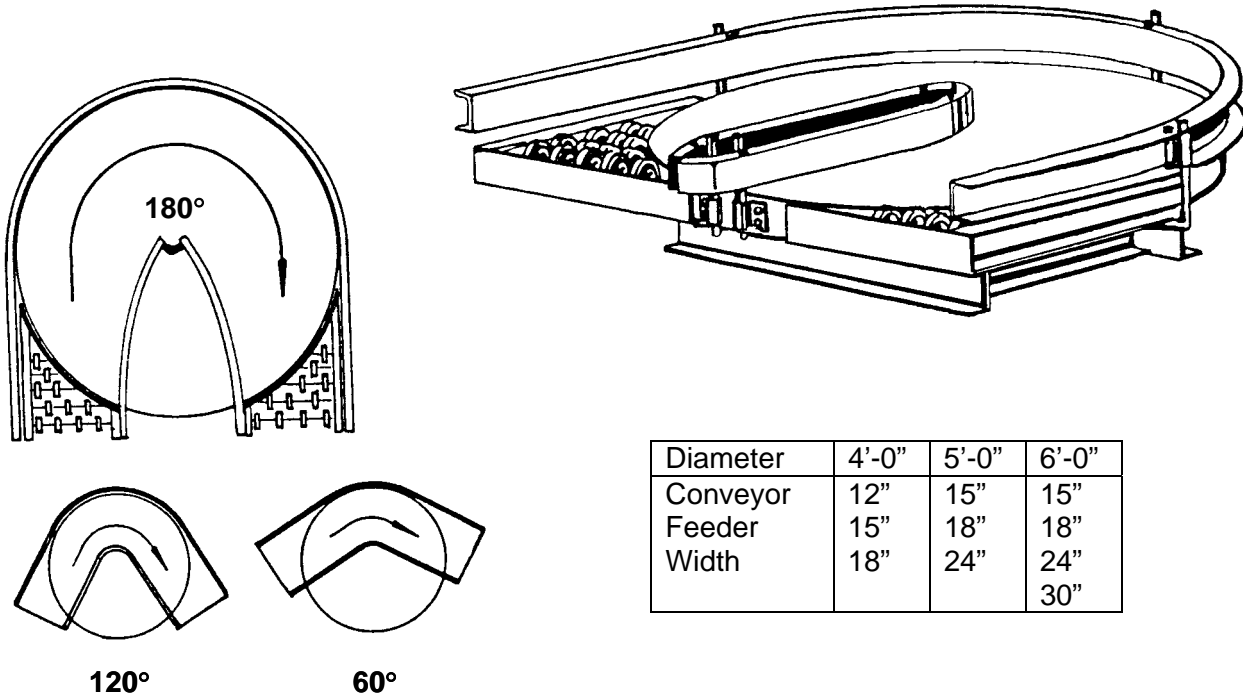
Use a traffic controller for product flow at merge areas where a collision of product can occur. Only one arm is allowed to operate at a time. This prevents the other product from being released until the other part has cleared the merge area.



Specify the merge degree and conveyor type when ordering. Traffic Controller is for use with **positively driven** conveyor.



**550 Series Powered Turntable Specifications:**



550 Series Turntables are designed to turn goods up to 180 degrees on a flat round table. Its purpose is to change directions of product flow in the smallest diameter. Turntables are not restricted to 180 degree applications although they are best suited for turns ranging from 90° to 180° turns.

**550 Series Specifications:**

Size: 4', 5, or 6' Diameter

Construction: 3/16" thick steel with 1 7/16" Diameter steel shaft. Outer edge of table rides on casters for support.

Drive: 3/4 Hp minimum with Reducer to #50 Chain and Sprockets.

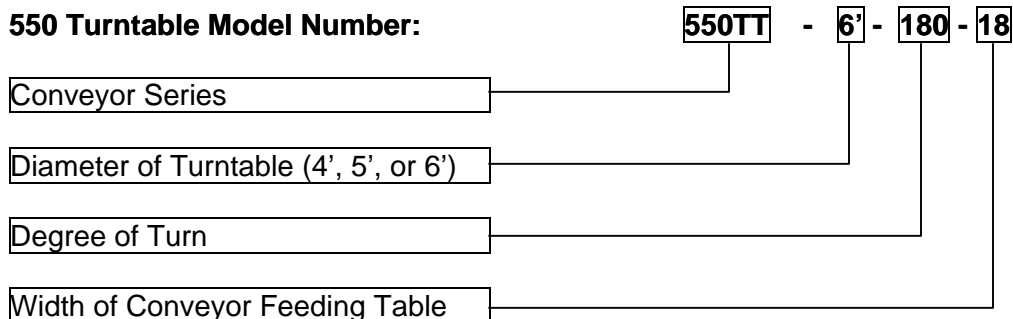
Minimum Elevation: 24" top of table.

Speed: Standard Speed is 100 FPM at the centerline of the carrying surface.

Finish: Standard finish for painted components is Metzgar Medium Blue or Vista Green

**Soft Start Controls are Required on 550 Series Turntables (Order Separately).**

**550 Turntable Model Number:**



**Order Controls and Supports Separately.**



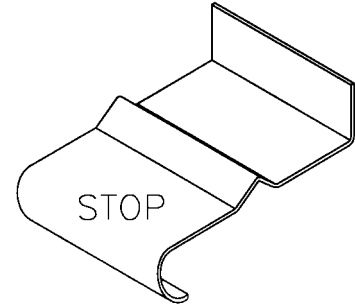
**Gravity Stops:**

Gravity stops are used to stop the flow of product on gravity conveyor. Stops are formed pieces of 12 gage galvanized steel.

Add “M” to the model number for use with midget roller series Example: ST-M12.

Add “LD” to Model Number for use with LD Series.

Conveyor Width	12"-15"	18"-21"	24"-27"	30"
Model Number	ST-12	ST-18	ST-24	ST-30

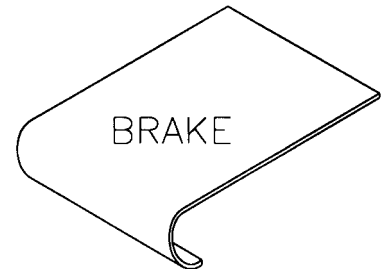


**Gravity Brakes:**

Gravity brakes are used to slow the flow of product on gravity conveyor. Stops are formed pieces of 12 gage galvanized steel.

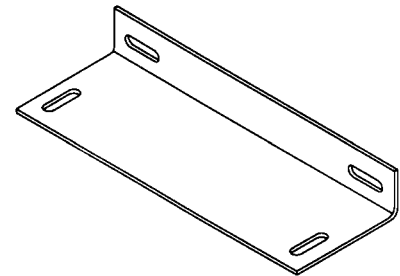
Add an “M” to the model number for use with midget roller series.

Conveyor Width	12"-15"	18"-21"	24"-27"	30"
Model Number	BR-12	BR-18	BR-24	BR-30



**Gravity Connector Angles:**

Gravity connector angles are designed for use with power conveyors that require a permanent connection to adjacent gravity sections. Gravity connector angles are recommended on all overhead applications where gravity connects to powered conveyor. Gravity connectors include all required mounting hardware.



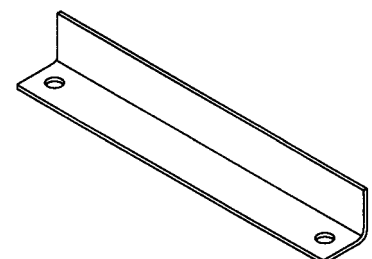
**Fixed Angle End Stops:**

Fixed angle end stops are made from 2" x 2" x 1/8" steel.

Fixed angle end stops are available in 12" to 48" widths.

Finish: Standard finish for painted components is Metzgar Medium Blue or Vista Green

Optional heavy duty end stop is 2" x 2" x 1/4" steel





**Straight Guard Rails:**

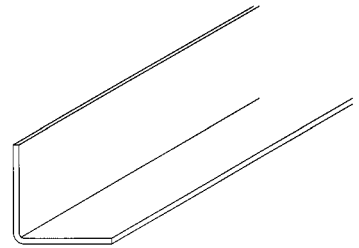
**Angle Guard Rail:**

Available Heights: 1", 2", 3", 4", or 6"

Material: 12 gage galvanized Steel

AGR can be mounted toes in or toes out.

**Optional low friction surfaces can be added to guard rail.**



**Angle Guard Rail Model Number:**

2 - AGR - 1 - 10

Height of Rail 1", 2", 3", 4" or 6"

Guard Rail Series

Number of Sides ( 1 or 2 )

Length in feet (10ft Standard)

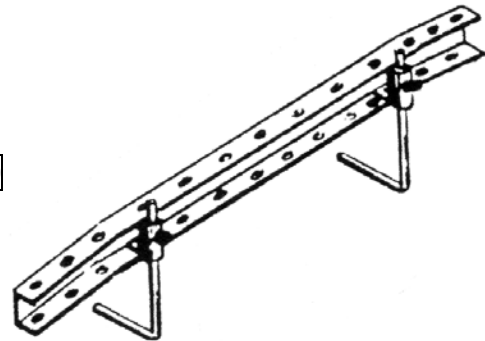
**Channel Guard Rail:**

Channel: 2" face with 15/16" flanges

Channel Material: 12 gage galvanized Steel

Adjustable Rods: 9/16" diameter

Requires an adapter if used with lineshaft.



**Channel Guard Rail Model Number:**

CGR - 1 - 10

Guard Rail Series

Number of Sides ( 1 or 2 )

Length in feet (10ft Standard)

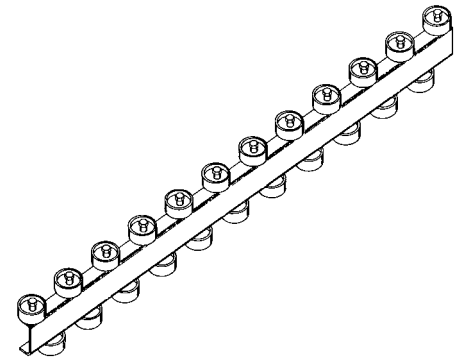
**Wheel Lined Channel Guard Rail:**

Channel: 2" face with 15/16" flanges

Wheels: 1 15/16" diameter on 1 1/2" staggered centers

Channel Material: 12 gage galvanized Steel

Requires an adapter if used with lineshaft conveyor.



**Wheel Lined Guard Rail Model Number:**

WLGR - 1 - 10

Guard Rail Series

Number of Sides ( 1 or 2 )

Length in feet (10ft Standard)



**Straight Guard Rails Continued:**

**Flared Angle Guard Rail:**

Available Heights: 6” or 12”

Material: 12 gage galvanized Steel

AGR can be mounted toes in or toes out.

**Flared Angle Guard Rail Model Number:**

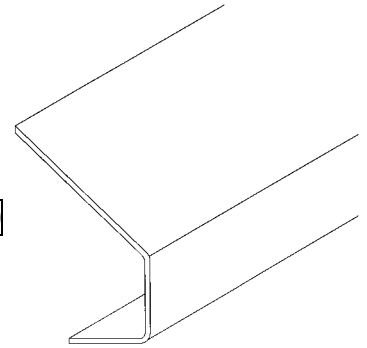
6 - FAGR - 1 - 10

Height of Rail 6” or 12”

Guard Rail Series

Number of Sides ( 1 or 2 )

Length in feet (10ft Standard)





**Curved Guard Rails:**

**Angle Guard Rail:**

Available Heights: 1", 2", 3", 4", or 6"  
Material: 12 gage galvanized Steel  
AGR can be mounted toes in or toes out.

**Curve Angle Guard Rail Model Number:**

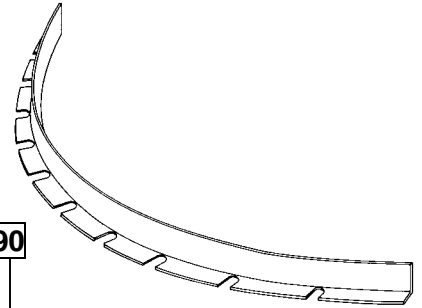
**2** - **CAGR** - **24** - **90**

Height of Rail 1", 2", 3", 4" or 6"

Guard Rail Series

Width of Conveyor

Degree of Curve



**Channel Guard Rail:**

Channel: 2" face with 15/16" flanges  
Channel Material: 12 gage galvanized Steel  
Adjustable Rods: 9/16" diameter  
Requires an adapter if used with lineshaft.

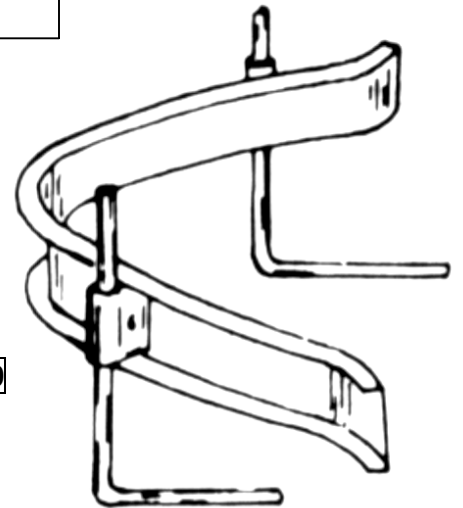
**Curve Channel Guard Rail Model Number:**

**CCGR** - **24** - **90**

Guard Rail Series

Width of Conveyor

Degree of Curve



**Wheel Lined Channel Guard Rail:**

Channel: 2" face with 15/16" flanges  
Wheels: 1 15/16" diameter on 1 1/2" staggered centers  
Channel Material: 12 gage galvanized Steel  
Requires a spacer channel adapter if used with lineshaft conveyor.

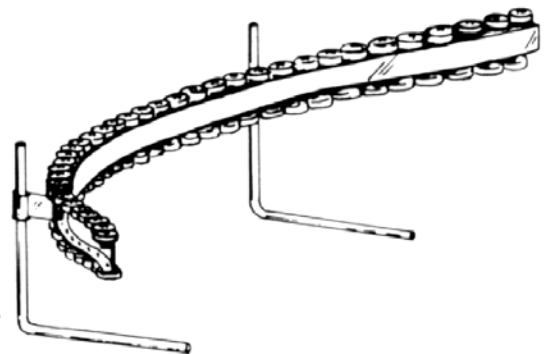
**Curve Wheel Lined Guard Rail Model Number:**

**CWLGR** - **24** - **90**

Guard Rail Series

Width of Conveyor

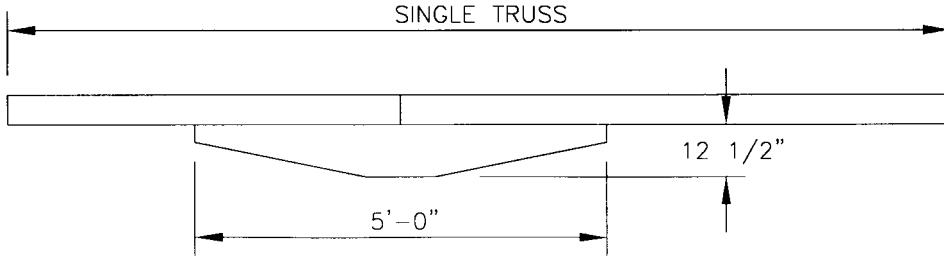
Degree of Curve





**Bed Truss:**

Trussing is used to reinforce spliced joints where conditions do not permit the use of floor supports, ceiling hangers or wall brackets at bed joints. Bed capacities increase if supports are placed as close as possible to the trussing ends.



Truss Side Plates: 12 gage galvanized

Bottom plate: 10 gage steel

Available Conveyor Widths: 12", 15", 18", 21", 24", 27", 30", 36", 42" or 48"

Finish: Standard finish for painted components is Metzgar Medium Blue or Vista Green

**Bed Truss Model Number:**

**BTS - 12 - 15**

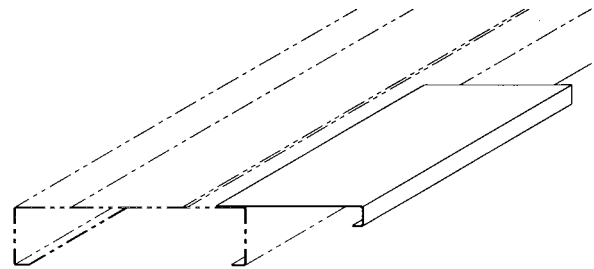
Support Series

Conveyor Width

Length to Span ( 15', 17'-6" or 20')

**Side Table Extensions:**

Side tables provide a large continuous working surface for operations such as assembly or order picking. Items being conveyed can be pulled from the conveying surface and allowed to wait for processing while other articles are conveyed past. Widths of side tables are measured from inner to outer edge of the table. Side table extensions are normally shipped unmounted. When ordering specify length, width and one side or both sides.



Material: 12 gage galvanized

Available Table Widths: 9", 12", or 18"

**Side Table Extensions Model Number:**

**STE - 18 - 10**

Support Series

Table Width ( 9", 12" or 18")

Length of Table in Feet